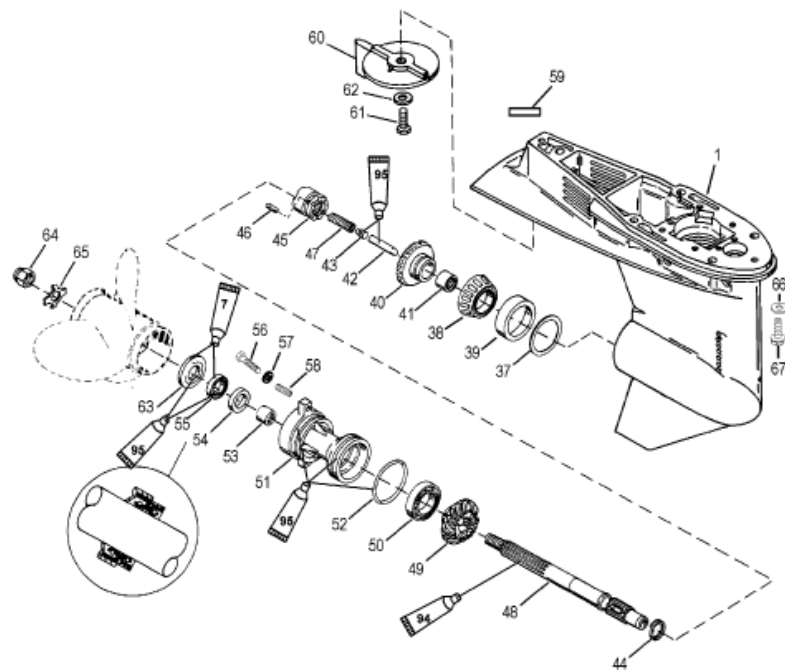


3.44 IN./87.37MM TORPEDO DIA.



-  Loctite 271 (92-809820)
-  Anti-Corrosion Grease (92-78376A6)
-  2-4-C With Teflon (92-825407A12)

Parts List

Ref	Class	Part	Description	Qty	Comment	Footnote
-	1671	9760T41	GEAR HOUSING	1	(COMPLETE)	
1	1671	9760T42	GEAR HOUSING	1	(BASIC)	
37	15	812769A 1	SHIM SET	AR		
38	31	812767A 1	TAPERED ROLLER BEARING	1		
39		NSS	CUP	1		
40	43	859101T 2	FORWARD GEAR (22 TEETH)	1		
41	31	21739	ROLLER BEARING	1		
42		812929 1	CAM FOLLOWER	1		
43		20843	SLIDE	1		
44	24	38114	SPRING	1		
45	52	813697T	CLUTCH	1		
46	17	38113	CROSS PIN	1		
47	24	815418	SPRING	1		
48	44	14493	PROPELLER SHAFT	1		
49	43	859104T	REVERSE GEAR (22 TEETH)	1		
50	30	20839T	BALL BEARING	1		
51		19291A 3	BEARING CARRIER ASSEMBLY	1		
52	25	815460	O-RING	1		15
53	31	21700	ROLLER BEARING	1		
54	26	69188	OIL SEAL	1		15
55	26	69189	OIL SEAL	1		15
56	10	855940 30	SCREW (M8 X 30)	2		
57	12	855941	WASHER	2		
58		822773 1	THREADED INSERT	2		
59		NSS	DECAL- GEAR RATIO	1		
60		17264T 2	TRIM TAB	1		
61	10	40003 77	SCREW (M10 X 30)	1		
62	12	856774	WASHER	1		
63		73345A 1	THRUST HUB	1		
64	11	69578Q 1	PROPELLER NUT	1		
65	14	76281	TAB WASHER	1		
66	12	856774	WASHER	4		
67	10	40003 80	SCREW (M10 X 45)	4		
-	26	814669A 2	GEAR HOUSING SEAL KIT	1		